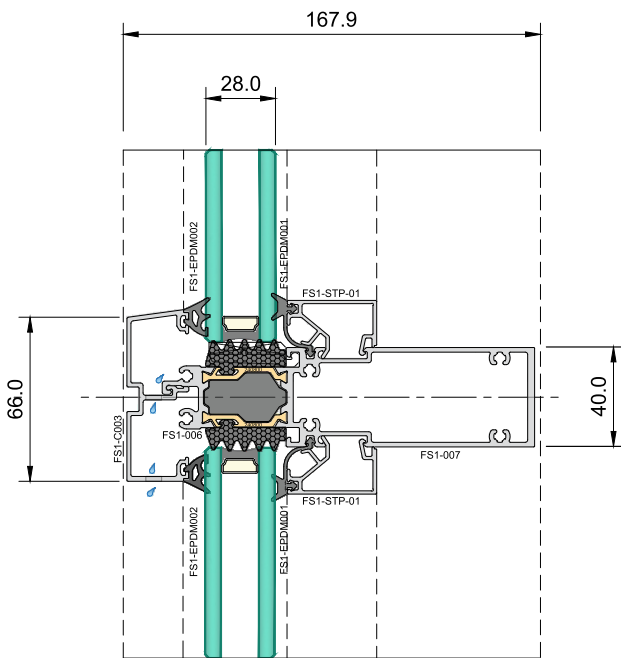
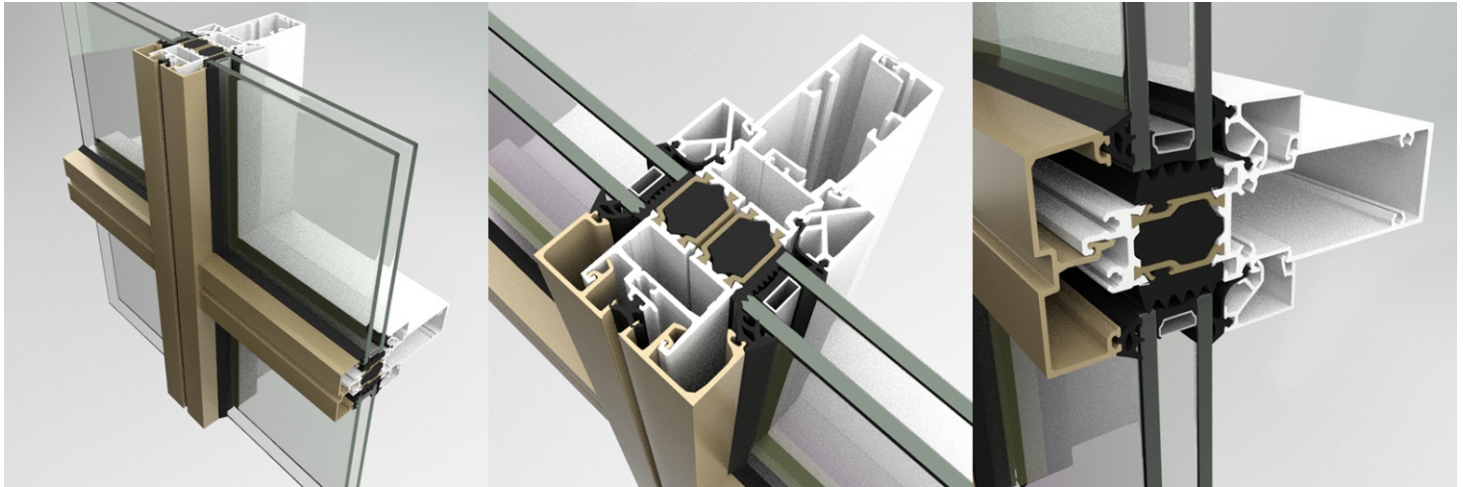
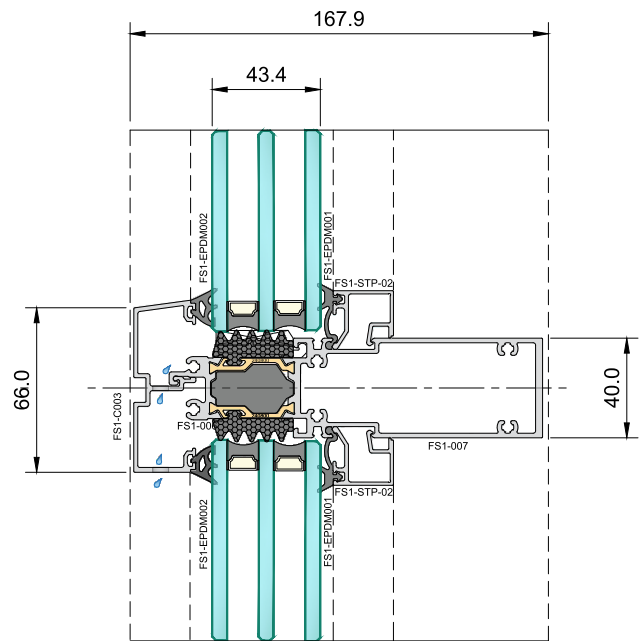


FS1- Series Unitized Window Wall System



TRANSOM DETAIL
Double Sealed Glazing Unit



TRANSOM DETAIL
Triple Sealed Glazing Unit

Overall Assembly Performance

U (W/m ² C)	1.412
RSI	0.66
U (BTU/h.ft ² F)	0.248
R	3.74
SHGC	0.19
VT	0.45

Overall Assembly Performance

U (W/m ² C)	1.201
RSI	0.66
U (BTU/h.ft ² F)	0.21
R	6.74
SHGC	0.19
VT	0.45

